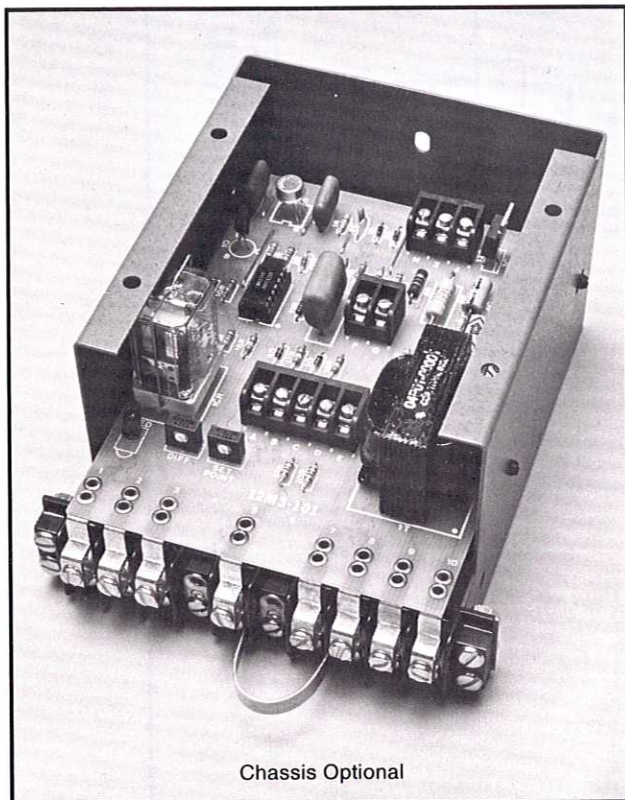


# REFLEX<sup>®</sup>

## SERIES 200 SOLID STATE CONTROLS

### MODEL 202 VOLTAGE SENSITIVE RELAY

PART NUMBER 12M03-00101



#### FEATURES

- COMPACT, SELF-CONTAINED
- MODERATELY PRICED
- HIGH PERFORMANCE
- COMPATIBLE WITH EQUIPMENT OF OTHER MANUFACTURERS
- WIDE RANGE OF ADJUSTMENT
- POSITIVE FRONT-ACCESS CONNECTION
- EASILY REMOVED, REPAIRED OR REPLACED
- CONSERVATIVELY RATED FOR RELIABILITY
- DETAILED TECHNICAL MANUAL

#### TYPICAL APPLICATIONS

- USE WHEREVER A "SET POINT" OPERATION IS REQUIRED IN RESPONSE TO AC OR DC ANALOG SIGNAL LEVELS

#### GENERAL DESCRIPTION

The MODEL 202 VOLTAGE SENSITIVE RELAY is a versatile assembly for use wherever a "set point" operation is required in response to AC or DC analog signal levels.

The input can be easily scaled in five ranges from 0.1 to 500V AC or DC. It can also be programmed for pick-up or drop-out. A differential adjustment provides variable hysteresis to prevent chattering.

Advanced circuit design insures a high level of accuracy, noise immunity and reliability in industrial environments. A field-proven mounting arrangement provides reliable connection, but allows easy removal without disturbing permanent wiring. Front access and detailed technical manual makes installation and service easy.

The MODEL 202 VOLTAGE SENSITIVE RELAY can be used with other REFLEX<sup>®</sup> SERIES 200 CONTROL MODULES and POWER CONVERTERS for "set point" operation in many applications. It is compatible with equipment of other manufacturers.

#### SPECIFICATIONS

SUPPLY: 120V AC  $\pm$ 10%  
50/60 Hz, Single Phase

AMBIENT TEMPERATURE: 0° to 40°C  
(32°-104°F) 50°C in Cabinet

SENSITIVITY: 1mV (on 0.1V Scale)

INPUT: Scaled, 0.1 to 500 volts AC or DC; jumper selectable

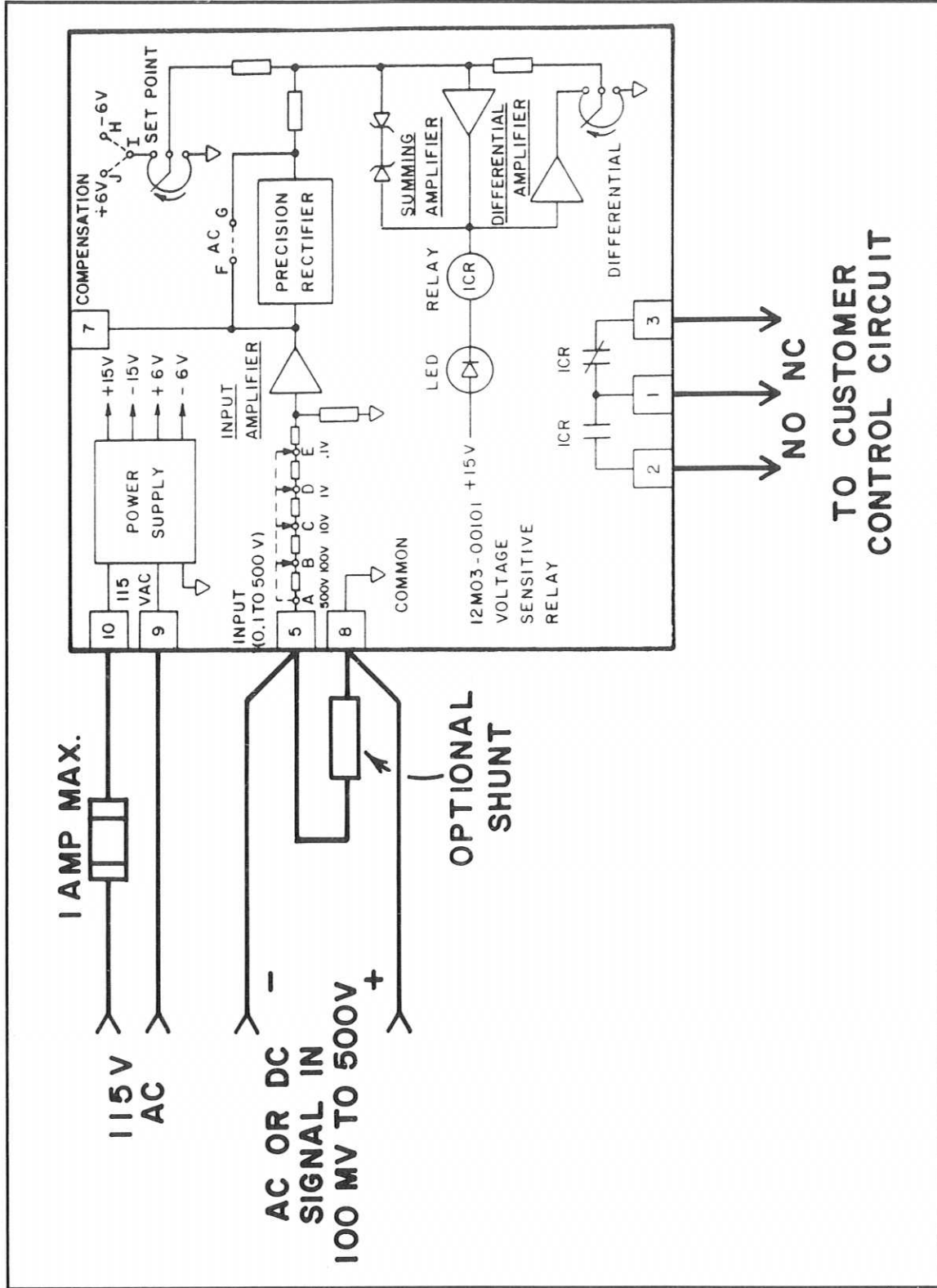
OUTPUT: Relay contact: single pole, form C, rated 2A at 115V AC. Programmable for pick-up or drop-out. Red LED indicating relay energized.

ADJUSTMENTS: Set Point, Differential

#### OPTIONS

- CURRENT SHUNT FOR OPERATION AS A 2 TO 25 AMPERE CURRENT SENSITIVE RELAY
- COMPATIBLE WITH OTHER SERIES 200 CONTROLS (See Bulletin SB-200)

# REFLEX<sup>®</sup> MODEL 202 VOLTAGE SENSITIVE RELAY



**REFLEX** INC.

303 ALLENS AVENUE, BOX 1515, PROVIDENCE, RI 02901  
 401/941-4444 FAX 401/941-4451 Toll Free 1-800/221-5097  
 SALES BULLETIN SB202-1285  
 Copyright © 1985 Printed in U.S.A.