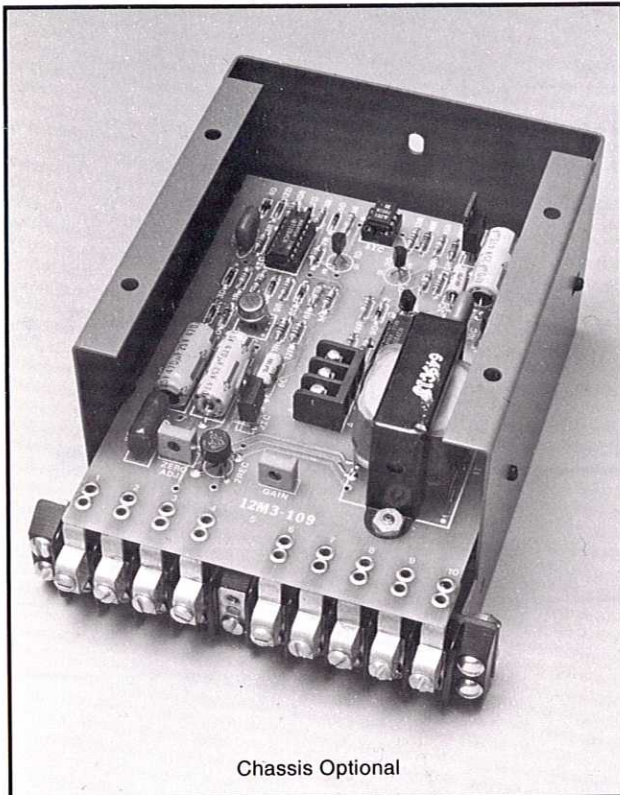


REFLEX[®]

SERIES 200 SOLID STATE CONTROLS

MODEL 213 SIGNAL ISOLATOR PART NUMBER 12M03-00109



Chassis Optional

FEATURES

- COMPACT, SELF-CONTAINED
- MODERATELY PRICED
- HIGH PERFORMANCE
- COMPATIBLE WITH EQUIPMENT OF OTHER MANUFACTURERS
- POSITIVE FRONT-ACCESS CONNECTION
- EASILY REMOVED, REPAIRED OR REPLACED
- CONSERVATIVELY RATED FOR RELIABILITY
- DETAILED TECHNICAL MANUAL

TYPICAL APPLICATIONS

- ISOLATION BETWEEN ELECTRIC DRIVES
- ISOLATION FOR COMPUTER CONTROL

GENERAL DESCRIPTION

The MODEL 213 SIGNAL ISOLATOR provides electrical isolation between two circuits of up to 480 volts AC or 700 volts DC. The input is bi-polar and can be scaled with two external resistors to permit operation with positive or negative input voltages from .05 to 500V DC.

Advanced circuit design insures a high level of accuracy, noise immunity and reliability in industrial environments. A field-proven mounting arrangement provides reliable connection, but allows easy removal without disturbing permanent wiring. Front access and detailed technical manual makes installation and service easy.

The MODEL 213 SIGNAL ISOLATOR can be used with other REFLEX[®] SERIES 200 CONTROL MODULES and POWER CONVERTERS for smooth, stepless control in many applications. It is compatible with equipment of other manufacturers.

SPECIFICATIONS

SUPPLY: 120V AC $\pm 10\%$
50/60 Hz, Single Phase

AMBIENT TEMPERATURE: 0° to 40°C
(32°-104°F) 50°C in Cabinet

MAXIMUM ISOLATION VOLTAGE:
Nominal 480 volts AC, 700 volts DC
between input and output

LINEARITY: $\pm 0.5\%$ of full scale

DRIFT: $\pm 0.5\%$ 20 to 40°C

HIGH TEMPERATURE DRIFT: $\pm 1\%$ 0 to 50°C
 $\pm 2.5\%$ 0 to 60°C

INPUT: Programmable with two external resistors for input voltages of $\pm .05$ to 500V DC.

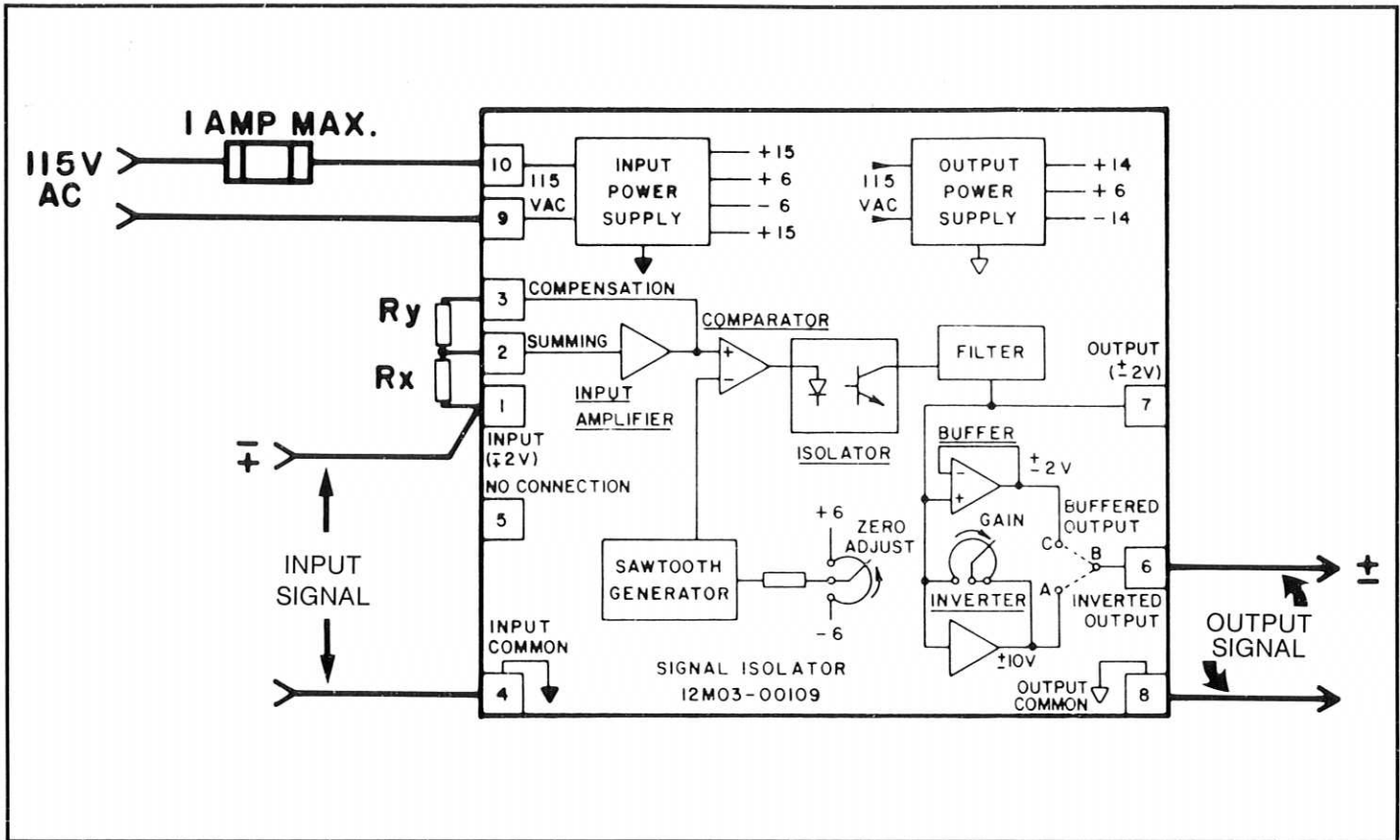
OUTPUT: Adjustable up to ± 10 volts @ 5mA

ADJUSTMENTS: Zero, Gain

OPTIONS

- COMPATIBLE WITH OTHER SERIES 200 CONTROLS
(See Bulletin SB-200)

REFLEX[®] MODEL 213 SIGNAL ISOLATOR



REFLEX INC

303 ALLENS AVENUE, BOX 1515, PROVIDENCE, RI 02901
 401/941-4444 FAX 401/941-4451 Toll Free 1-800/221-5097

SALES BULLETIN SB213-0287
 Copyright © 1987 Printed in U.S.A.