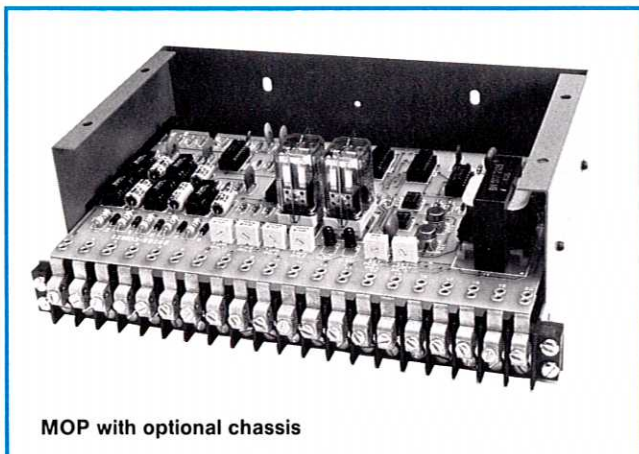


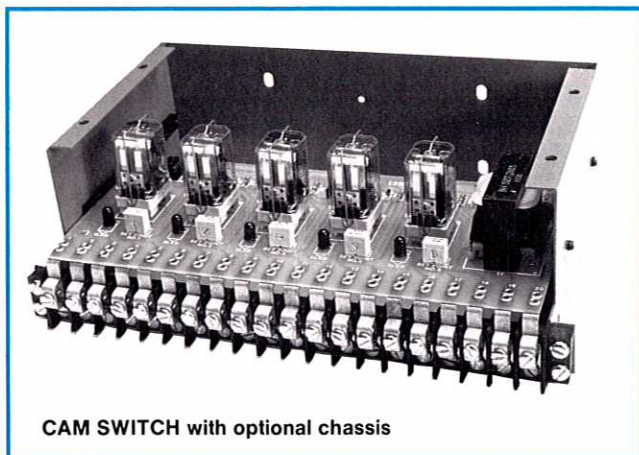
REFLEX®

SERIES 200 SOLID STATE CONTROLS

SOLID STATE MOTOR OPERATED POTENTIOMETER (Part Number 12M03-00106) and MULTIPLE CAM SWITCH (Part Number 12M03-00124)



MOP with optional chassis



CAM SWITCH with optional chassis

FEATURES

- COMPACT, SELF-CONTAINED
- MODERATELY PRICED
- POSITIVE, FRONT ACCESS CONNECTION
- EASILY REMOVED, REPAIRED OR REPLACED
- CONSERVATIVELY RATED FOR RELIABILITY
- THREE YEAR WARRANTY
- DESIGNED TO MEET UL and NEMA STANDARDS

OPTIONS

- COMPATIBLE WITH OTHER SERIES 200 CONTROLS (see Bulletins SB-200 and SB-101)

GENERAL DESCRIPTION

The REFLEX® SOLID STATE MOP is a digital-based equivalent of a mechanical motor-operated potentiometer with cam-operated limit switches.

It provides an adjustable analog output increasing or decreasing at up to four independently adjustable rates in response to external signal devices such as pushbuttons, relay contacts, a Programmable Controller, or similar devices from several locations.

Advanced design insures a high level of accuracy, noise immunity and reliability. A field-proven mounting arrangement provides reliable connection, but allows easy removal without disturbing permanent wiring. Front access and a comprehensive Trouble-shooting Manual for each module make field service easy.

It may be used as a Solid State Multiple Cam Switch Timer, providing two separately adjustable relay operations. With the optional CAM SWITCH, additional relay operations are available in multiples of five relays.

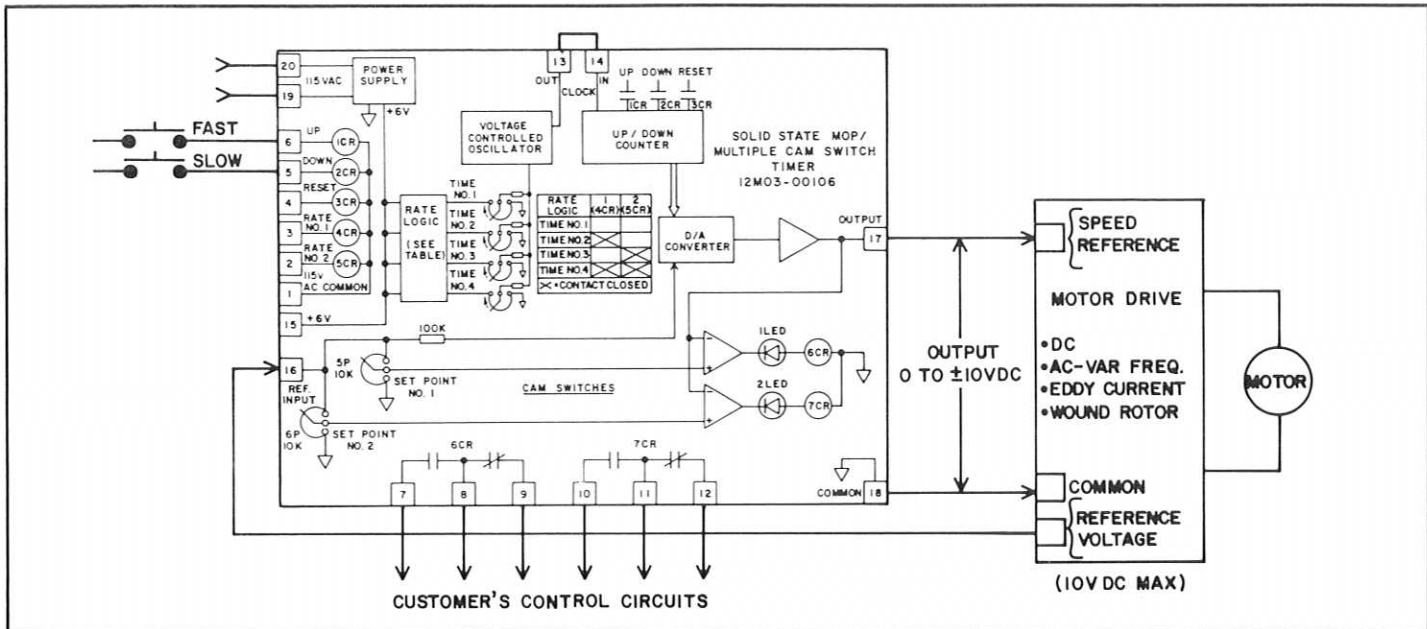
Input reed relays operated by 115V AC actuate a Voltage Controlled Oscillator which provides pulses to an Up/Down Counter. The digital output of the Counter is converted to an analog output of up to ten volts. Two voltage sensitive relays on the output act as limit switches.

The SOLID STATE MOP can be used with other REFLEX® Series 200 Control Modules, Power Converters, and Drives of most manufacturers for remote control of Speed, Torque, Position, Tension, Draw or Trim, and many other process variables (see Bulletins SB-200 and SB-101).

TYPICAL APPLICATIONS

- REMOTE SIGNAL CONTROL
Speed, torque, position, tension, draw or trim, and other process variables
- MULTIPLE CAM SWITCH TIMER
Welding, mixing, conveyor sequencing

SOLID STATE MOTOR OPERATED POTENTIOMETER and MULTIPLE CAM SWITCH



SPECIFICATIONS

- SUPPLY**
 115V AC $\pm 10\%$
 50/60 Hz, single phase
- AMBIENT TEMPERATURE**
 0° to 40°C (50° in cabinet)
- INPUTS**
 115V AC from pushbuttons, relay contacts, programmable controller or similar devices for functions of "UP," "DOWN," "RESET" and "RATE SELECT"
 Analog reference, up to 10 volts either positive or negative
- OUTPUTS**
 Analog signal, zero to a voltage equal to the reference voltage and of the same polarity @ 5mA
 Zero to positive 6 volts @ 5mA with self-contained reference
 Relay contact closure. Two separately adjustable relays each with form C contacts. Contact rating 2A at 115V AC, 3A at 26V AC. Five additional relays on each Cam Switch Assembly.
 Pick up and drop out point independently adjustable on each from 0 to 100% of output voltage with a differential between pick up and drop out of .05%
- ACCURACY**
 Equal to accuracy of reference used $\pm .02\%$
 1% accuracy with self-contained reference
- RESOLUTION**
 One part in 4000
- SMALLEST INCREMENT OF CHANGE**
 One part in 1000
 One part in 4000 if individual pulses are fed into "CLOCK IN" terminal
- TIMING ADJUSTMENT RANGE**
 Nominally 2 to 60 seconds
 Four separately adjustable times with instantaneous reset
 Each of four times selectable by combination of two 115V AC inputs
- DIMENSIONS**
 3¼" H x 9⅝" W x 6" D
- WEIGHT**
 1 lb. nominal (each assembly)
 2¼ lbs. with optional chassis

WE SELL SOLUTIONS TO PROBLEMS!

REFLEX INC.

303ALLENS AVENUE, BOX 1515, PROVIDENCE, RI 02901
 401 / 941-4444 TLX 880060

SALES BULLETIN SB210-0787
 Copyright © 1987 Printed in U.S.A.