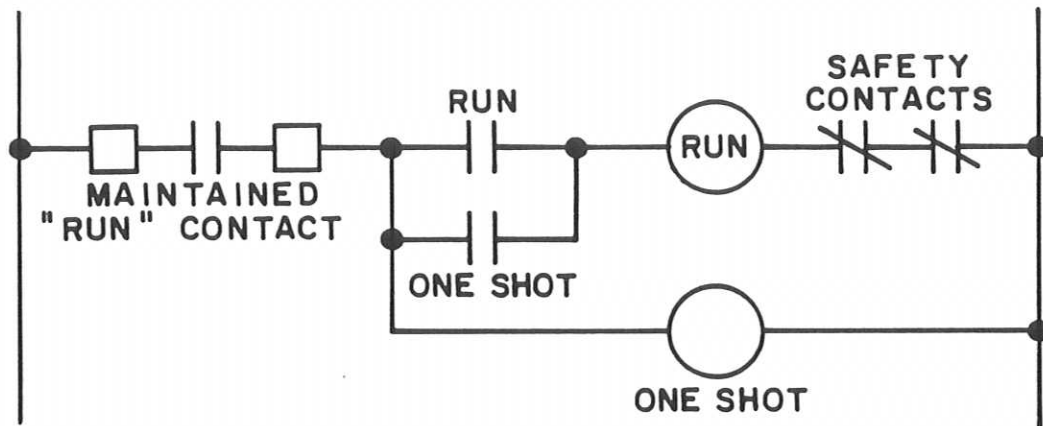


REFLEX<sup>®</sup> MODEL 248 UNIVERSAL RELAY ASSEMBLY  
PART NUMBER 12M03-00138-01  
APPLICATION NOTES

1. The relay can be used whenever any of the available timing functions are required, or as straight relays.
2. Two relays can be combined to provide an on-off cycle time with each portion separately adjustable.
3. The "One-shot" function can be used to convert a permanently closed contact into a momentary one. A typical application is to convert the conventional 3-wire Start-Stop circuit for use with a single maintained "run" contact.



This circuit prevents unattended restarting when a momentary safety contact is opened.